

Pan/Tilt/Zoom Network Camera



The Vivotek Network Camera with Pan/Tilt/Zoom will extend your view indeed. In addition to high performance synchronized audio/video transmission over future proof IP network, pan/tilt/zoom capability makes the camera view more angles therefore increases the coverage for monitoring. Secure your life with the Vivotek Network Camera with Pan/Tilt/Zoom in a digital way!



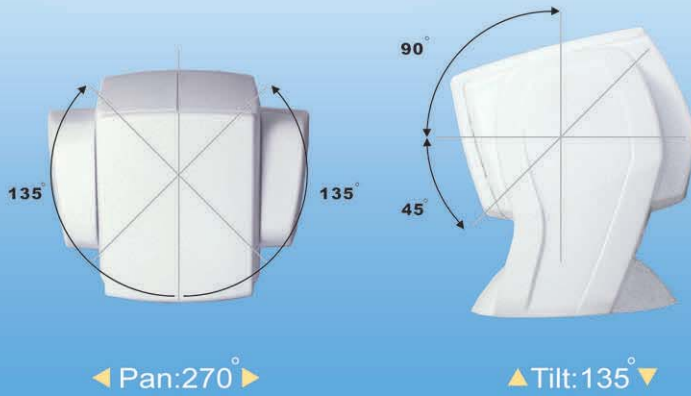
PZ6112/ PZ6122
PZ6114/ PZ6124

Features

- MJPEG and MPEG4 Video Compression Selectable
- Motorized Pan/Tilt/Zoom (10X Optical Zoom Lens and 10X Digital Zoom)
- Integrated Two-way Audio
- Optimized Synchronization of Audio and Video
- 802.11g Wireless Connection (PZ6114/PZ6124)
- Supports UPnP and Dynamic IP (DDNS)
- Intelligent Motion Detection
- Pre- and Post- Alarm Snapshots
- Digital I/O for Sensor and Alarm
- Low Light Mode Down to 0.05 Lux
- Free-bundled 16-CH Audio and Video Recording Software

Pan/Tilt/Zoom Network Camera

PZ6112/ PZ6122
PZ6114/ PZ6124



Technical Specifications

Models	<ul style="list-style-type: none"> • PZ6112 (NTSC CCD) • PZ6122 (PAL CCD) • PZ6114 (NTSC CCD, wireless) • PZ6124 (PAL CCD, wireless) 	Audio	<ul style="list-style-type: none"> • 8k /24k /32kbps • Audio output connector • External microphone connector • Full duplex audio communication • Acoustic echo cancellation
System	<ul style="list-style-type: none"> • CPU: Trimedia PNX1300 • RAM: 16MB SDRAM • ROM: 4MB FLASH ROM 	Microphone	<ul style="list-style-type: none"> • Omni-directional • Frequency 20 ~ 20000Hz • S/N ratio More than 58dB
Networking	<ul style="list-style-type: none"> • Protocols UPnP, TCP/IP, HTTP, SMTP, FTP, Telnet, NTP, DNS, DDNS and DHCP • Ethernet 10 baseT or 100 baseT Fast Ethernet auto negotiation • Wireless Ethernet (PZ6114/6124) 802.11g wireless LAN 	General I/O	<ul style="list-style-type: none"> • 1 sensor input max. 12VDC 50mA • 1 relay output max. 24VDC 1A / 125VAC 0.5A
Video	<ul style="list-style-type: none"> • Algorithm MPEG4 simple profile/MJPEG selectable for streaming video JPEG for still image • Features Adjustable image size and quality Time stamp and text overlay Three configurable motion detection windows Flip & mirror Video output connector • Resolution NTSC Up to 30 frames at 176x120 Up to 30 frames at 352x240 Up to 15 frames at 704x480 PAL Up to 25 frames at 176x144 Up to 25 frames at 352x288 Up to 12 frames at 704x576 	Pan/Tilt	<ul style="list-style-type: none"> • Pan: range +135° ~ -135°, 10° ~ 50°/sec • Tilt: range +90° ~ -45°, 7° ~ 25°/sec • Zoom: 1x~10x optical zoom 2x,4x,6x,8x,10x digital zoom • Auto pan mode • Auto patrol mode
Camera Specifications	<ul style="list-style-type: none"> • 1/4 inch color CCD image sensor • 1.5 Lux / F1.8 (Typical); 0.05 Lux / F1.8 (Low Light mode) • AGC, AWB, AES • PZ6112 Resolution: 542(H)x493(V) Electronic shutter: 1/60~1/100,000 sec. • PZ6122 Resolution: 537(H)x597(V) Electronic shutter: 1/50~1/100,000 sec. 	LED Indicators	<ul style="list-style-type: none"> • System power and status indicator • System activity and Network link indicator
Lens	<ul style="list-style-type: none"> • 10X optical zoom lens, f=4.2~42mm, F1.8~2.9 	Dimensions	<ul style="list-style-type: none"> • Length: 105mm • Width: 105mm • Height: 125mm
		Weight	<ul style="list-style-type: none"> • NET: 420g
		Power	<ul style="list-style-type: none"> • 12VDC • Consumption: PZ6112/6122: Max 12W PZ6114/6124: Max 13W
		Operating Environments	<ul style="list-style-type: none"> • Temperature: 0°~40°C (32°~102°F) • Humidity: 85% RH
		EMI & Safety	<ul style="list-style-type: none"> • CE, FCC
		Viewing System Requirements	<ul style="list-style-type: none"> • Operation system: Microsoft Windows 98 SE, ME, 2000, XP • Browser: Internet Explorer 5.0 or above
		Free Bundled ST3402 Software	<ul style="list-style-type: none"> • Remote configuration and control sixteen devices • Event-triggered, scheduled, manual recording • Instant search with preview windows • Fast/slow forward replay and pause • Hard disk quota warning • Scheduled record • AVI format export

All specifications are subject to change without notice.
All other trademarks are owned by their respective companies.



6F, No.192, Lien-Cheng Rd., Chung-Ho, Taipei County, Taiwan
Tel: +886 2 82455282
Fax: +886 2 82455532
E-mail: sales@vivotek.com
Http://www.vivotek.com

